

075 Quartz Passthru

Application

Connect up to 10 permanent pressure gauges on a single conductor with DataCan's Multi-Gauge Quartz Passthru Tool. This tool comes in a standard version as well as a pressure testable version for quality assurance.

Benefits

The Multi-Gauge Passthru Quartz Tool is quick and easy to install and produces high quality well or reservoir data in real time. Its fully welded construction, dual protection metal to metal seal design, and hermetically sealed electronics, make it a very reliable gauge. Since it acts as both a gauge and a WYE splice, it helps reduce the cost of the permanent system while increasing reliability.

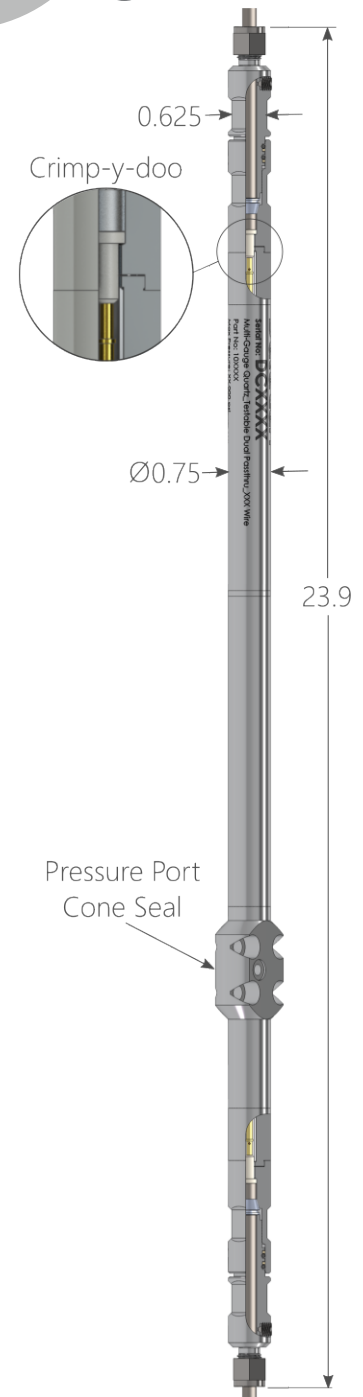
The Crimp-y-doo, at the heart of DataCan's new gauge design, ensures correct wire prep and prevents the TEC conductor from pulling up into the armor. If you find yourself assembling a gauge without a crimp-y-doo, you just better crimp-y-don't!

Features

- 10 Gauges on a Single Conductor
- No WYE Needed
- Fully Welded Construction
- Hermetically Sealed
- Dual Protection Metal to Metal Seal Design
- Corrosion Resistant - NACE MR0175

Multi-Gauge Quartz Passthru Pressure Tool - Standard

Pressure	Temperature	Material	Part No.	
			1/4" Wire	4mm Wire
5,000 psi	150°C	Inconel	112660	112668
10,000 psi			112661	112669
16,000 psi			112662	112670
20,000 psi			112663	112671



Multi-Gauge Quartz Passthru Pressure Tool - Pressure Testable

Pressure	Temperature	Material	Part No.	
			1/4" Wire	4mm Wire
5,000 psi	150°C	Inconel	112672	112680
10,000 psi			112673	112681
16,000 psi			112674	112682
20,000 psi			112675	112683

Accessories

Accessory Type	Part No.	
	1/4" Wire	4mm Wire
Redress Kit Sour	112757	112761

*Each Redress Kit is for one connection. Two kits are required to redress a Passthru Tool.

Specifications

	Pressure	Temperature
Accuracy Up To	0.022% F.S.	0.25°C
Resolution	0.00006% F.S.	0.005°C
Drift	< 3 psi / year	< 0.1°C / year

